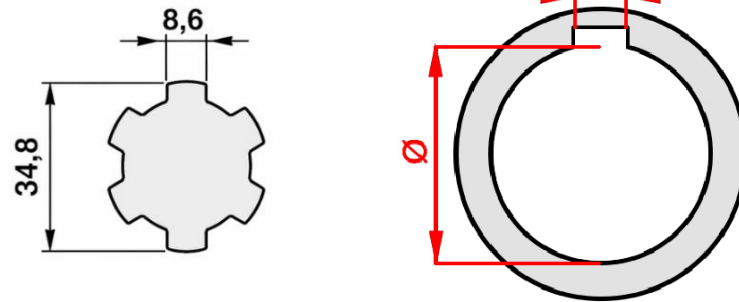


## DATA SHEET – DIMENSIONS

### PTO ADAPTER HOLE



1" 3/8 Z=6

ITEM	EXTERNAL PROFILE	BORE TOLERANCE H8 (mm)	BORE DEPTH (mm)	TOTAL LENGTH (mm)
11089	1" 3/8	Ø 20	60	145 (keyway 6x2.8)
10998		Ø 25		145 (keyway 8x3.3)
11090		Ø 30		150 (keyway 10x3.8)
11091		Ø 32		
11092		Ø 35		
11093		Ø 38		160 (keyway 12x3.5)
11094		Ø 40		
11095		Ø 45		